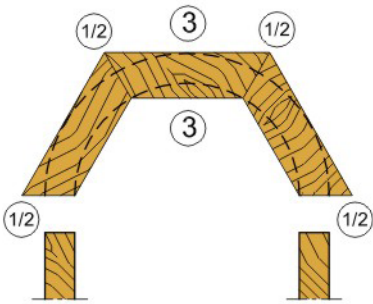
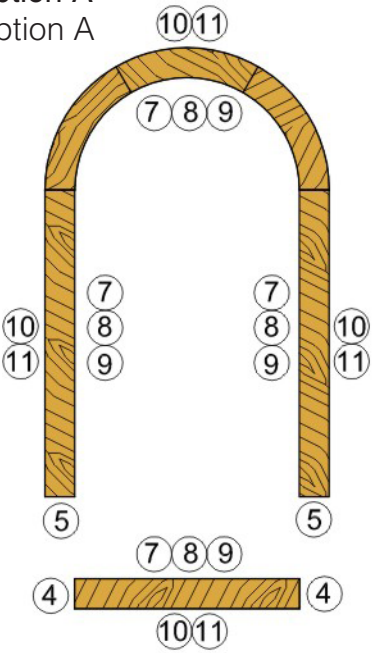
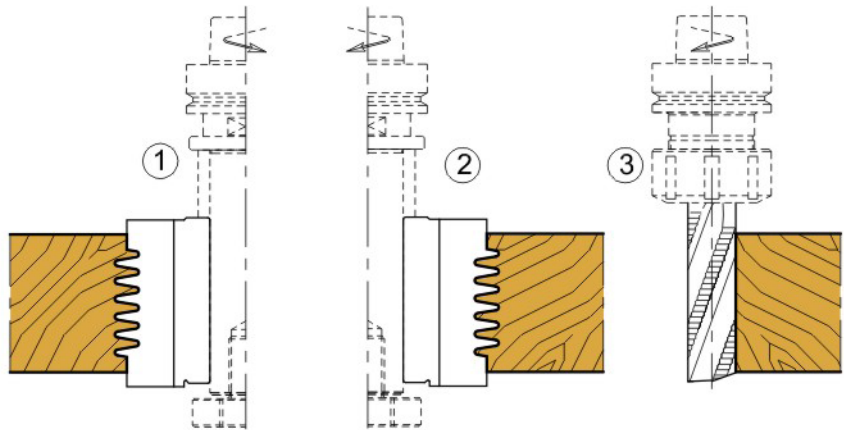


561



Option A  
Option A



Option B  
Option B

